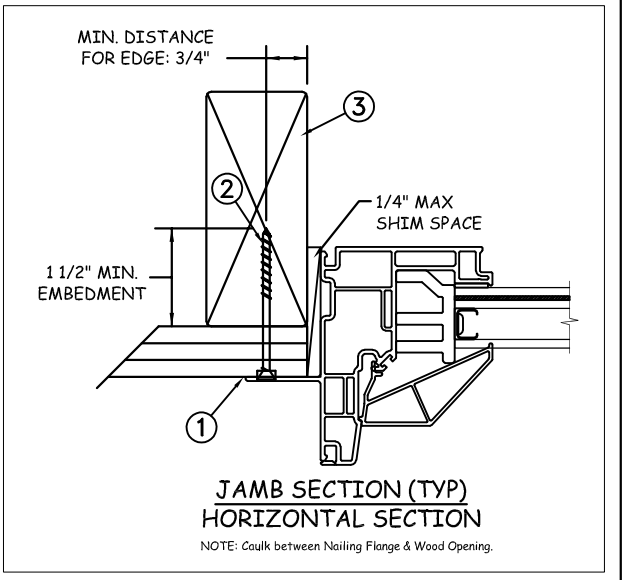


NAIL FIN INSTALLATION



Max Frame	DP RATING	IMPACT
36" x 72"	+50/-55	YES
WIND ZONE 2		

Installation Notes:

1. Seal flange/frame to substrate. Sill shall be set on a continuous serpentine bead of structural grade silicone caulk when no fastener is used to anchor the sill (typical).
2. Use #8 PH or greater fastener through the nail fin with sufficient length to penetrate a minimum of 1 1/2" into the wood framing. For 2X wood frame substrate (min. S.G. = 0.42).
3. Host structure (wood buck, masonry, steel) to be designed and anchored to properly transfer all loads to the structure. The host structure is the responsibility of the architect or engineer of record for the project of installation.

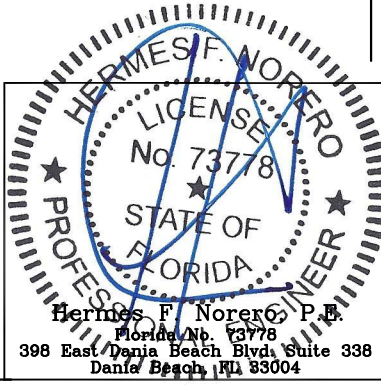
General Notes:

1. The product shown herein is designed, tested and manufactured to comply with the wind load criteria of the adopted International Building Code(IBC), the International Residential Code(IRC), the Florida Building Code(FBC) and the industry requirement for the stated conditions.
2. All glazing shall conform to ASTM E1300.
3. At minimum, glazing shall be 3.0mm annealed - 14.58mm airspace - 2.5mm annealed - 1.52mm PVB Interlayer by Kurraray - 2.5mm annealed insulated glass.
4. Use structural or composite shims where required.

This schedule addresses only the fasteners required to anchor the window to achieve the rated design pressure up to the size limitations noted. It is not intended as a guide to the installation process and does not address the sealing consideration that may arise in different wall conditions. For the complete installation procedure, see the instructions packaged with the window or go to www.jeld-wen.com.

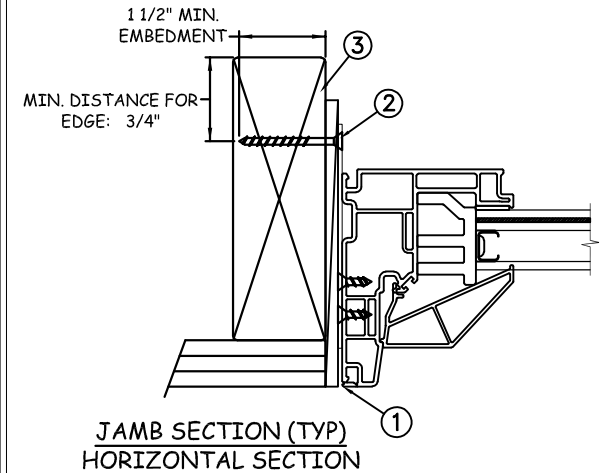
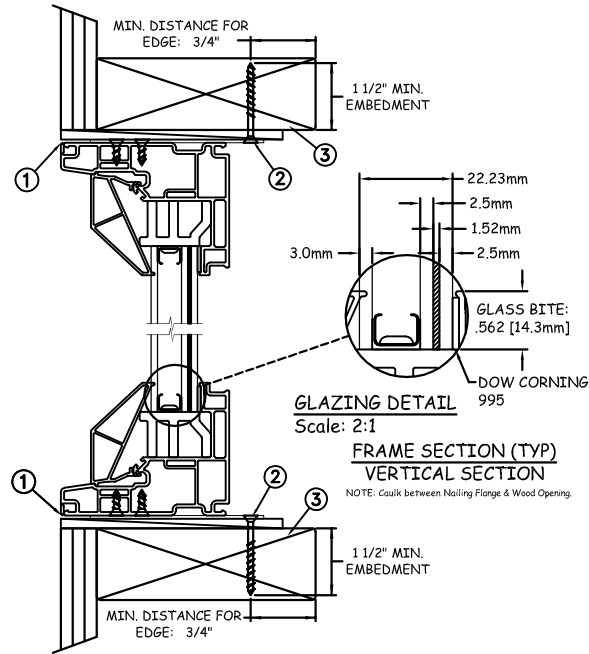
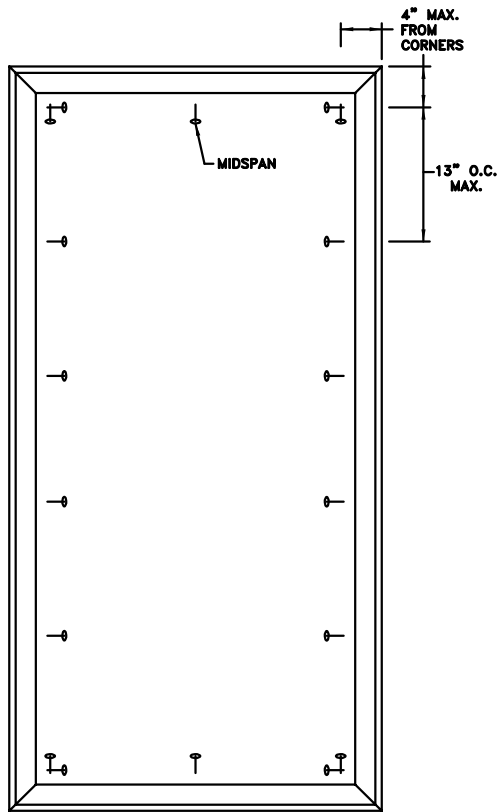
DISCLAIMER:

This drawing and its contents are confidential and are not to be reproduced or copied in whole or in part or used or disclosed to others except as authorized by JELD-WEN Inc.



PROJECT ENGINEER: ---	DATE: 07/10/18	JELD-WEN	3737 Lakeport Blvd Klamath Falls, OR. 97601 Phone: (800) 535-3936	
DRAWN BY: A. MCMILLAN	SCALE: NTS			
CHECKED BY: J. Kantola	TITLE: Premium Vinyl Direct Set Casement Impact - W22			
APPROVED BY: J. GOOSSEN	Record No.: D014439			
REPORT No.: 110-17-055	PLANT NAME AND LOCATION: ---	CAD DWG. No.: PremVinylDSCsmt Cert	REV:	SHEET 1 OF 4

MASONRY STRAP INSTALLATION



Max Frame	DP RATING	IMPACT
36" x 72"	+50/-55	YES
WIND ZONE 2		

Installation Notes:

1. Seal flange/frame to substrate. Sill shall be set on a continuous serpentine bead of structural grade silicone caulk when no fastener is used to anchor the sill (typical).
2. Install masonry straps to vinyl frame using (4)#8 x 1/2" PH corrosion resistant fasteners. Bend straps around buck and secure with (2)#8 fastener thru masonry strap into wood buck. Fasteners must be long enough to penetrate at least 1 1/2" into framing members. For 2X wood frame substrate (min. S.G. = 0.42)
3. Host structure (wood buck, masonry, steel) to be designed and anchored to properly transfer all loads to the structure. The host structure is the responsibility of the architect or engineer of record for the project of installation.

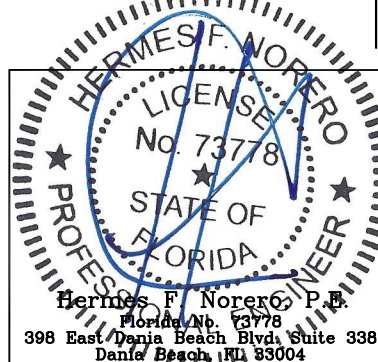
This schedule addresses only the fasteners required to anchor the window to achieve the rated design pressure up to the size limitations noted. It is not intended as a guide to the installation process and does not address the sealing consideration that may arise in different wall conditions. For the complete installation procedure, see the instructions packaged with the window or go to www.jeld-wen.com.

DISCLAIMER:

This drawing and its contents are confidential and are not to be reproduced or copied in whole or in part or used or disclosed to others except as authorized by JELD-WEN Inc.

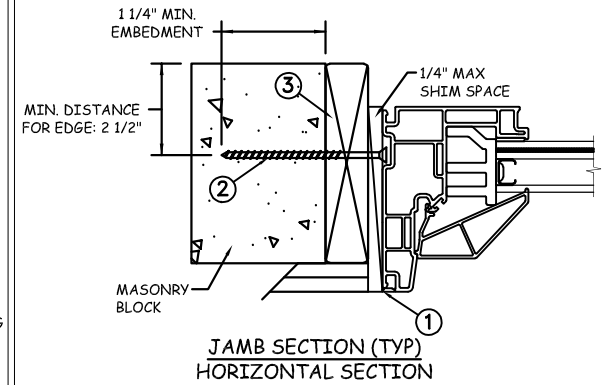
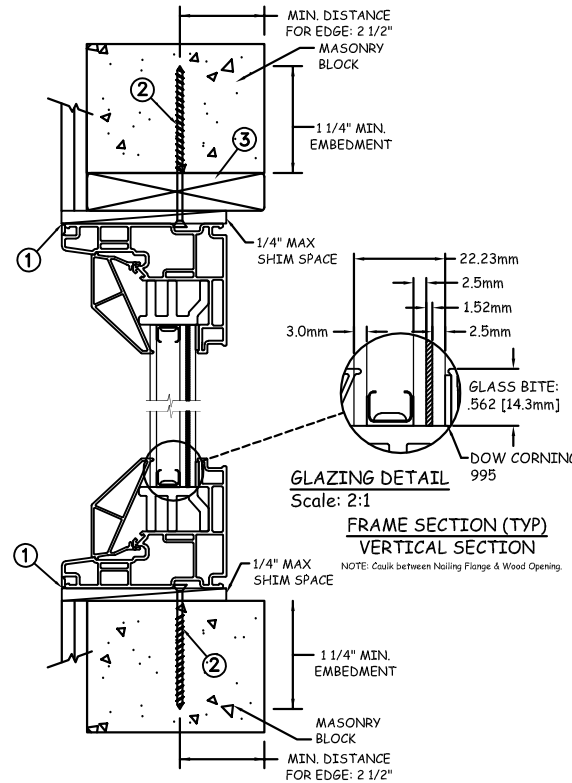
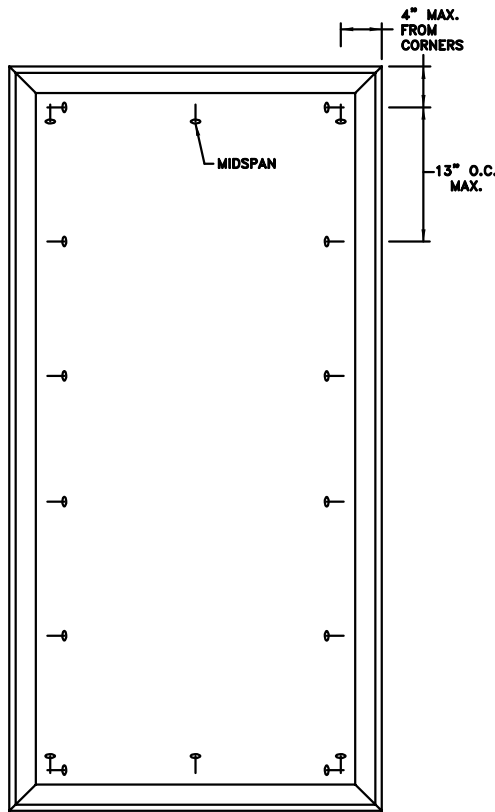
General Notes:

1. The product shown herein is designed, tested and manufactured to comply with the wind load criteria of the adopted International Building Code(IBC), the International Residential Code(IRC), the Florida Building Code(FBC) and the industry requirement for the stated conditions.
2. All glazing shall conform to ASTM E1300.
3. At minimum, glazing shall be 3.0mm annealed - 14.58mm airspace - 2.5mm annealed - 1.52mm PVB Interlayer by Kurraray - 2.5mm annealed insulated glass.
4. Use structural or composite shims where required.



PROJECT ENGINEER: ---	DATE: 07/10/18	JELD WEN	3737 Lakeport Blvd Klamath Falls, OR. 97601 Phone: (800) 535-3936	
DRAWN BY: A. MCMILLAN	SCALE: NTS			
CHECKED BY: J. Kantola	TITLE: Premium Vinyl Direct Set Casement Impact - W22			
APPROVED BY: J. GOOSSEN	Record No.: D014439			
REPORT No.: 110-17-055	PLANT NAME AND LOCATION: ---	CAD DWG. No.: PremVinylDSCsmt Cert	REV:	SHEET 2 OF 4

MASONRY INSTALLATION



Max Frame	DP RATING	IMPACT
36" x 72"	+50/-55	YES
WIND ZONE 2		

Installation Notes:

1. Seal flange/frame to substrate. Sill shall be set on a continuous serpentine bead of structural grade silicone caulk when no fastener is used to anchor the sill (typical).
2. Use 3/16" Tapcon or equivalent fasteners through frame with sufficient length to penetrate a minimum of 1 1/4" into concrete or masonry at each location with a 2 1/2" min from edge distance. For concrete (min. = 3000psi) or masonry (CMU shall conform to ASTM C90).
3. Host structure (wood buck, masonry, steel) to be designed and anchored to properly transfer all loads to the structure. The host structure is the responsibility of the architect or engineer of record for the project of installation.

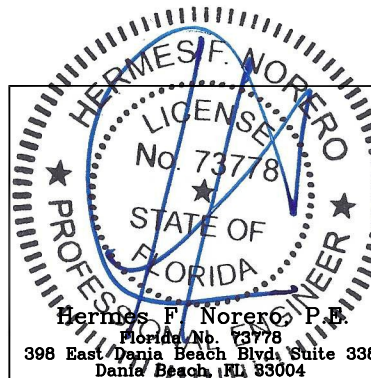
General Notes:

1. The product shown herein is designed, tested and manufactured to comply with the wind load criteria of the adopted International Building Code(IBC), the International Residential Code(IRC), the Florida Building Code(FBC) and the industry requirement for the stated conditions.
2. All glazing shall conform to ASTM E1300.
3. At minimum, glazing shall be 3.0mm annealed - 14.58mm airspace - 2.5mm annealed - 1.52mm PVB Interlayer by Kurraray - 2.5mm annealed insulated glass.
4. Use structural or composite shims where required.

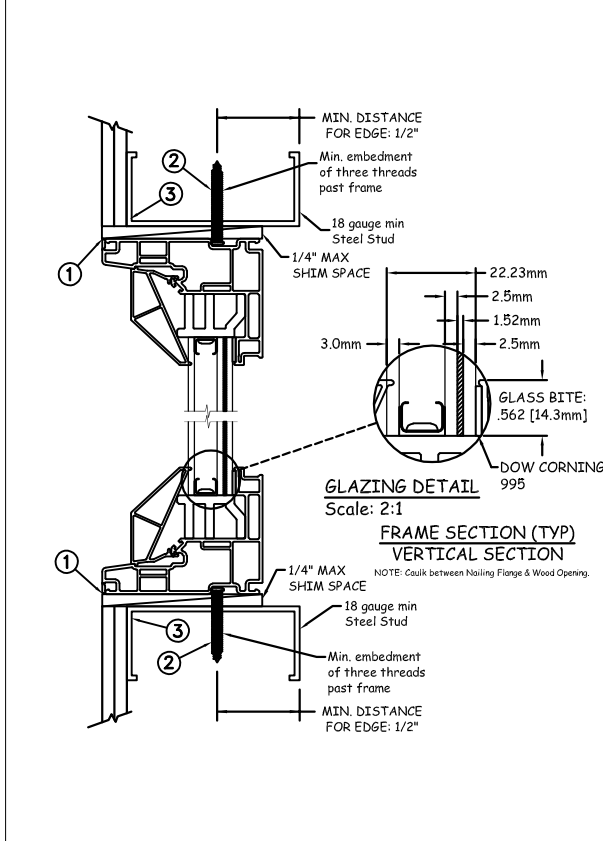
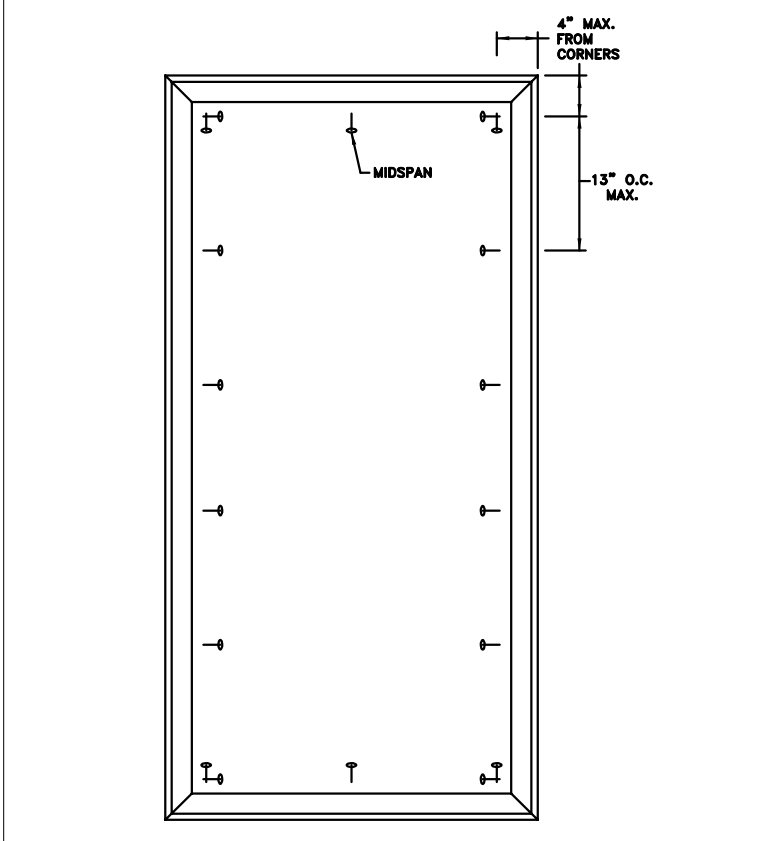
This schedule addresses only the fasteners required to anchor the window to achieve the rated design pressure up to the size limitations noted. It is not intended as a guide to the installation process and does not address the sealing consideration that may arise in different wall conditions. For the complete installation procedure, see the instructions packaged with the window or go to www.jeld-wen.com.

DISCLAIMER:

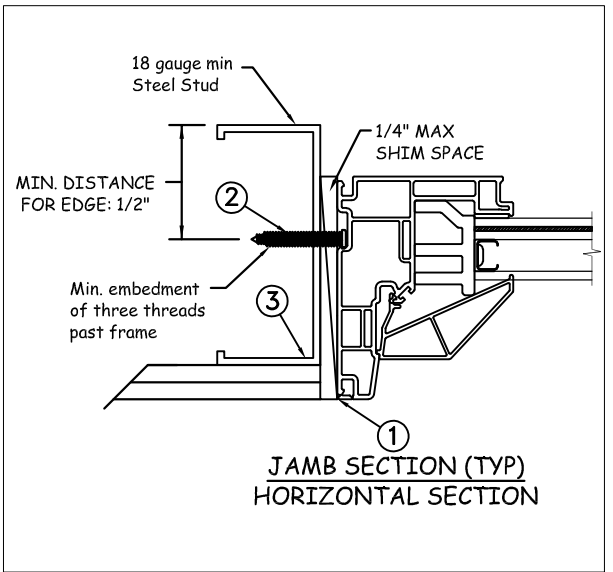
This drawing and its contents are confidential and are not to be reproduced or copied in whole or in part or used or disclosed to others except as authorized by JELD-WEN Inc.



PROJECT ENGINEER: ---	DATE: 07/10/18	JELD WEN	3737 Lakeport Blvd Klamath Falls, OR. 97601 Phone: (800) 535-3936	
DRAWN BY: A. MCMILLAN	SCALE: NTS			
CHECKED BY: J. Kantola	TITLE: Premium Vinyl Direct Set Casement Impact - W22			
APPROVED BY: J. GOOSSEN	Record No.: D014439			
REPORT No.: 110-17-055	PLANT NAME AND LOCATION: ---	CAD DWG. No.: PremVinylDSCsmt Cert	REV:	SHEET 3 OF 4



STEEL INSTALLATION



Max Frame	DP RATING	IMPACT
36" x 72"	+50/-55	YES
WIND ZONE 2		

Installation Notes:

1. Seal flange/frame to substrate. Sill shall be set on a continuous serpentine bead of structural grade silicone caulk when no fastener is used to anchor the sill (typical).
2. For anchoring into metal framing, use #8 TEK Self Tapping screws with sufficient length to achieve a minimum embedment of three threads past the frame thickness. Locate anchors as shown in elevations and installation details. Steel substrate min. 18ga., fy = 33 ksi.
3. Host structure (wood buck, masonry, steel) to be designed and anchored to properly transfer all loads to the structure. The host structure is the responsibility of the architect or engineer of record for the project of installation.

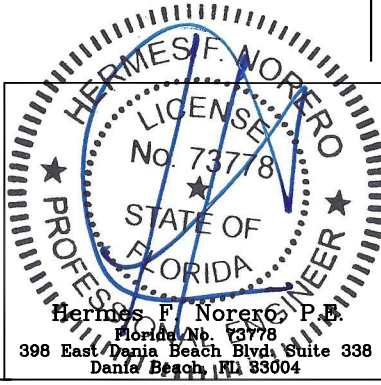
General Notes:

1. The product shown herein is designed, tested and manufactured to comply with the wind load criteria of the adopted International Building Code(IBC), the International Residential Code(IRC), the Florida Building Code(FBC) and the industry requirement for the stated conditions.
2. All glazing shall conform to ASTM E1300.
3. At minimum, glazing shall be 3.0mm annealed - 14.58mm airspace - 2.5mm annealed - 1.52mm PVB Interlayer by Kurraray - 2.5mm annealed insulated glass.
4. Use structural or composite shims where required.

This schedule addresses only the fasteners required to anchor the window to achieve the rated design pressure up to the size limitations noted. It is not intended as a guide to the installation process and does not address the sealing consideration that may arise in different wall conditions. For the complete installation procedure, see the instructions packaged with the window or go to www.jeld-wen.com.

DISCLAIMER:

This drawing and its contents are confidential and are not to be reproduced or copied in whole or in part or used or disclosed to others except as authorized by JELD-WEN Inc.



PROJECT ENGINEER: ---	DATE: 07/10/18	JELD-WEN	3737 Lakeport Blvd Klamath Falls, OR. 97601 Phone: (800) 535-3936	
DRAWN BY: A. MCMILLAN	SCALE: NTS		Premium Vinyl Direct Set Casement Impact - W22	
CHECKED BY: J. Kantola	TITLE:			
APPROVED BY: J. GOOSSEN	Record No.: D014439			
REPORT No.: 110-17-055	PLANT NAME AND LOCATION: ---	CAD DWG. No.: PremVinylDSCsmt Cert	REV:	SHEET 4 OF 4